

Fiber Optic Dome Splice Closure



4048D Starfighter™



4048D Pole/Wall Slack Bracket

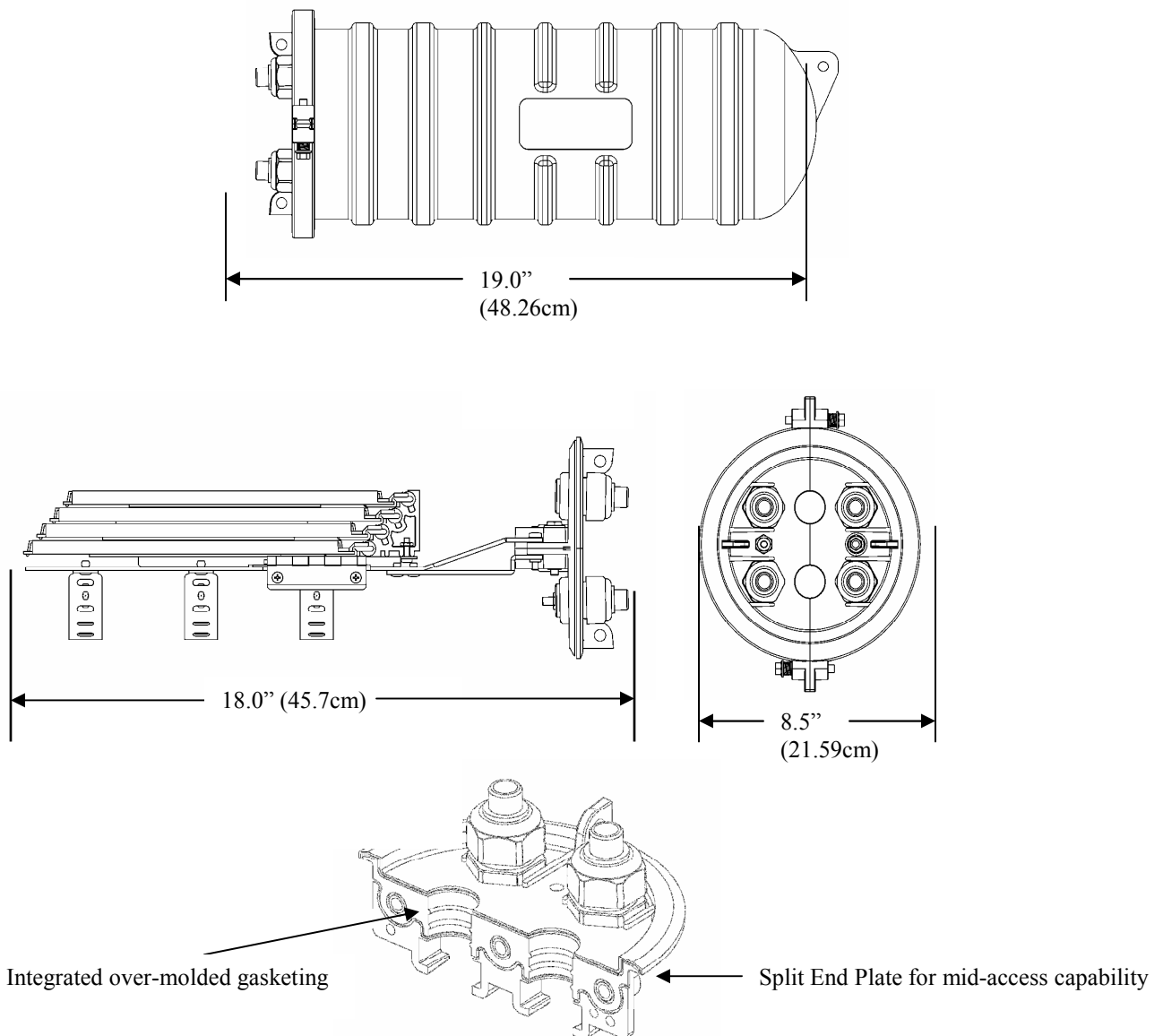
The Multilink Starfighter™ 4048D Fiber Optic Dome Splice Closure is an “all parts” inclusive hermetically sealed splice enclosure designed for ease of assembly and re-entry. The closure is designed with a gasketed split end plate for mid-access cable applications and includes an integrated slack storage basket, interlocking splice trays via a modified keyhole style stacking module, and an easy to install no special tool sealing system. All major hardware is factory installed to allow for quick field installation. Universal Multicentric Grommets along with compression style lateral or branch cable seals, makes installing the enclosure easy to assemble. The 4048D is a medium capacity closure that can be used in aerial, pedestal, and underground applications.

Key Features:

- Easy to assemble. Closure comes with all parts required to build a splice including a universal splice tray, an air valve, 3 cable sealing and grounding kits and a external grounding attachment.
- Reduces part number management. Closure can be purchased with splice trays included all under one part number.
- Reduces grommet inventory. Multicentric Grommet fits cable diameters up to .75” eliminating need for additional grommets.
- Reduces operating costs by allowing customers to purchase additional capacity only when needed.
- Reduces closure inventory. The closure is suitable for a wide variety of installation and mounting applications.
- Meets Industry specifications
- Split End Plate design allows for mid-span cable access
- Four branch or lateral cable ports designed to support single or multiple cable entries
- End plate gasketing system for ease in entry
- Compression sealing system for branch or lateral ports provide both sealing and strain relief
- One-piece express or feeder cable retention kit with strain-relief hardware
- Can accommodate strand, wall, pedestal or ADSS mounting brackets. Brackets purchased separately.

General Specifications

Exterior Closure Length:	19.0" (48.26cm)	
Exterior Closure Diameter:	8.5" (21.59cm)	
Cable Entry:	(2) Express/Feeder (4) Branch or Lateral*	
Express/Feeder Cable Diameter:	Max. .75" (19mm)	Min. 0.30" (7.62mm)
Branch/Lateral Cable Diameter:	Max. .63" (16mm)	Min. 0.27" (6.9mm)
Weight:	7.5lbs (3.4kg)	
Material:	Dome, Polyester, End Plates Glass Filled Polypropylene, V Band Polypropylene	



* Multiport Cable Seals are available to support up to 16 or more fiber drops for FTTH Applications

Capacity

Standard Splice Trays	4
Standard Cables	6
Standard Single Splices	96
Standard Ribbon Splices	192

Ordering Information

Part Number	Description
10-7972	4048D Starfighter Fiber Optic Dome Splice Closure
10-6065	4000/4048D Starfighter Aerial Hangar Kit
10-8007	4048-SSTP Splice tray 24 single/48 ribbon splice capacity
10-8181	4048D-CAK Cable Addition Kit
065-058-10	Pole/Wall Slack Bracket

Cable Entry Grommets:

Individual Grommets

Part Number	Description
10-8084	4 port Insert .20" to .24" (5mm to 6mm)
10-8087	4 port Insert .16" to .20" (4mm to 5mm)
10-8085	3 port Insert .24" to .28" (6.1mm to 7.1mm)
10-8090	3 port Insert .16" to .20" (4mm to 5mm)
10-8092	3 port Flat cable Insert (Corning, Alcatel, Sumitomo, drop cable)
10-8091	2 port Insert .25" to .29" (6.3mm to 7.4mm)
10-8088	1 port Insert .27" to .31" (6.85mm to 7.87mm)

Bulk Packed Grommets (10 grommets per pack)

Part Number	Description
10-8096	4 port Insert .20" to .24" (5mm to 6mm)
10-8106	4 port Insert .16" to .20" (4mm to 5mm)
10-8097	3 port Insert .24" to .28" (6.1mm to 7.1mm)
10-8109	3 port Insert .16" to .20" (4mm to 5mm)
10-8110	2 port Insert .25" to .29" (6.3mm to 7.4mm)
10-8111	3 port Flat cable Insert (Corning, Alcatel, Sumitomo, drop cable)

NOTE: Other multiport cable seal inserts are available; please contact Customer Service for information.

Multilink Inc.
Phone: (440) 366-6966
Fax: (440) 366-6802
engsupport@multilinkone.com
www.multilinkone.com